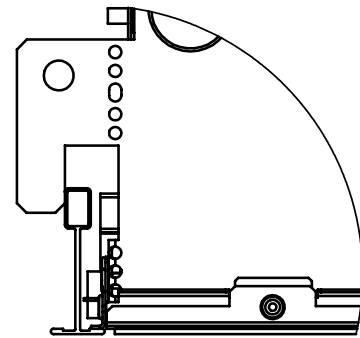
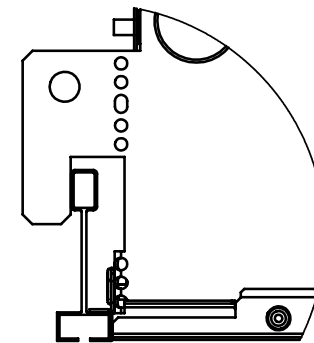


CROSS-SECTION SAE301 2X2 & 2X4 T BAR SHOWN



CEILING TYPE "NG" 9/16" T-BAR



CEILING TYPE 9/16" SCREW SLOT "SS"

**FOR POWERHUBB INFORMATION SEE PAGE 3**

**NOTES:**

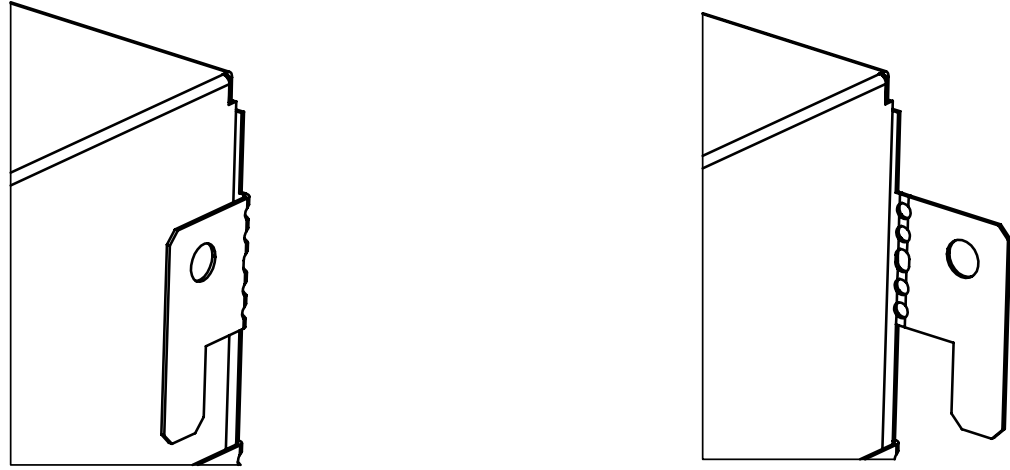
1. READ ENTIRE INSTRUCTION SHEET BEFORE INSTALLATION
2. FIXTURES CAN NOT BE MOUNTED BACK TO BACK IN A ROW
3. THE FIXTURE AS PROVIDED IN THE CARTON IS COMPLETELY WIRED AND ASSEMBLED.
4. DRIVER LEADS AND GROUNDING CONDUCTOR HAVE BEEN BROUGHT THROUGH THE OPENING IN THE TOP OF THE FIXTURE AND TAPED UNDERNEATH THE ACCESS COVER PLATE SO THAT IT IS NOT NECESSARY TO REMOVE THE REFLECTORS FOR INSTALLATION.
5. HOLES ARE PROVIDED IN THE SAFETY EARS FOR REQUIRED CHAIN OR WIRE SUPPORT.
6. DIFFUSER IS SHIPPED INSIDE FIXTURE

**TOOLS REQUIRED**

**SUPPLIED BY INSTALLER**

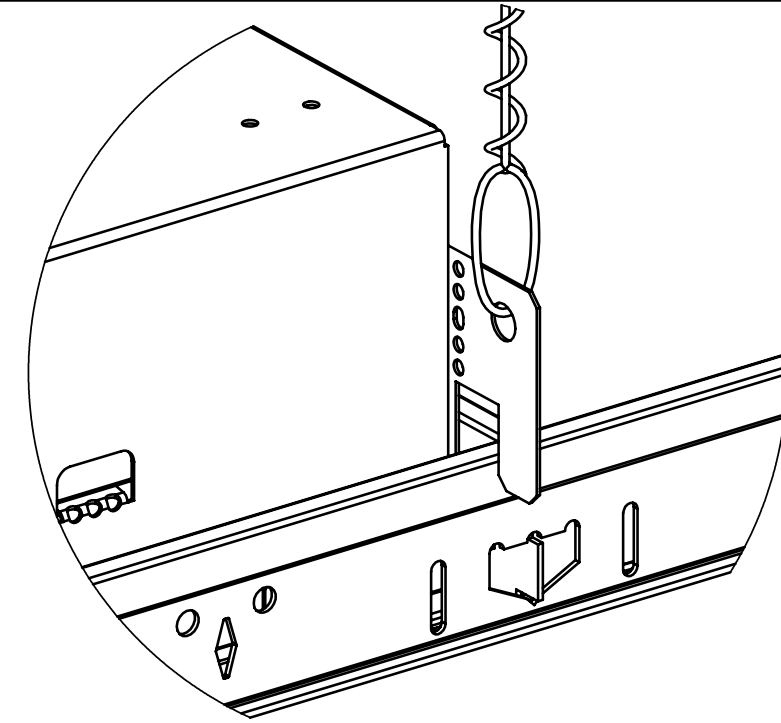
SUPPORT WIRE OR CHAIN  
FLEXIBLE CONDUIT FEED

1



REMOVE FIXTURE FROM CARTONING.  
BEND OUT SAFETY EARS ON THE FIXTURE

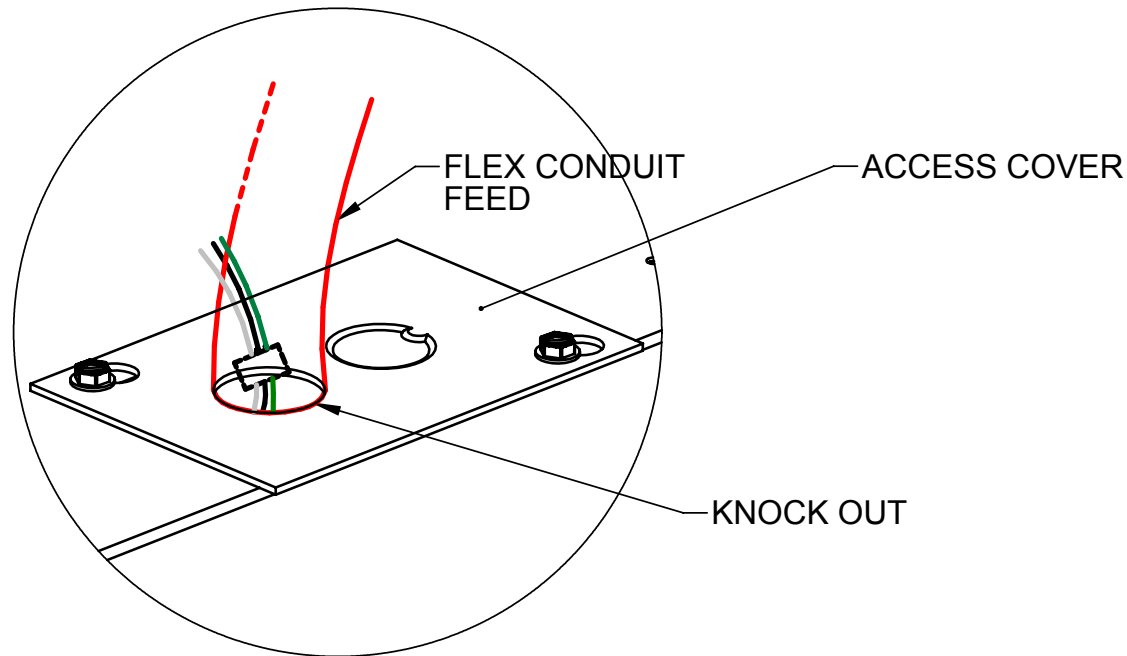
2



LIFT FIXTURE DIAGONALLY THROUGH GRID OPENING AND REST IT ON T BARS SO SAFETY EARS SIT OVER T BARS. ATTACH WIRE OR CHAIN SUPORT TO SAFETY EARS.

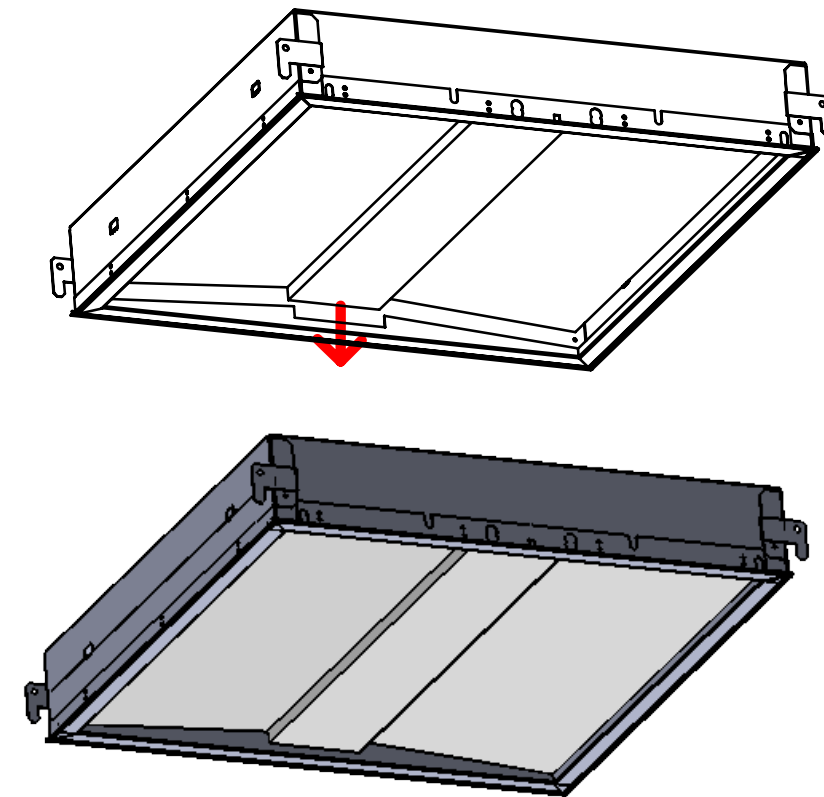
3

**FOR POWERHUBB INFORMATION SEE PAGE 3**



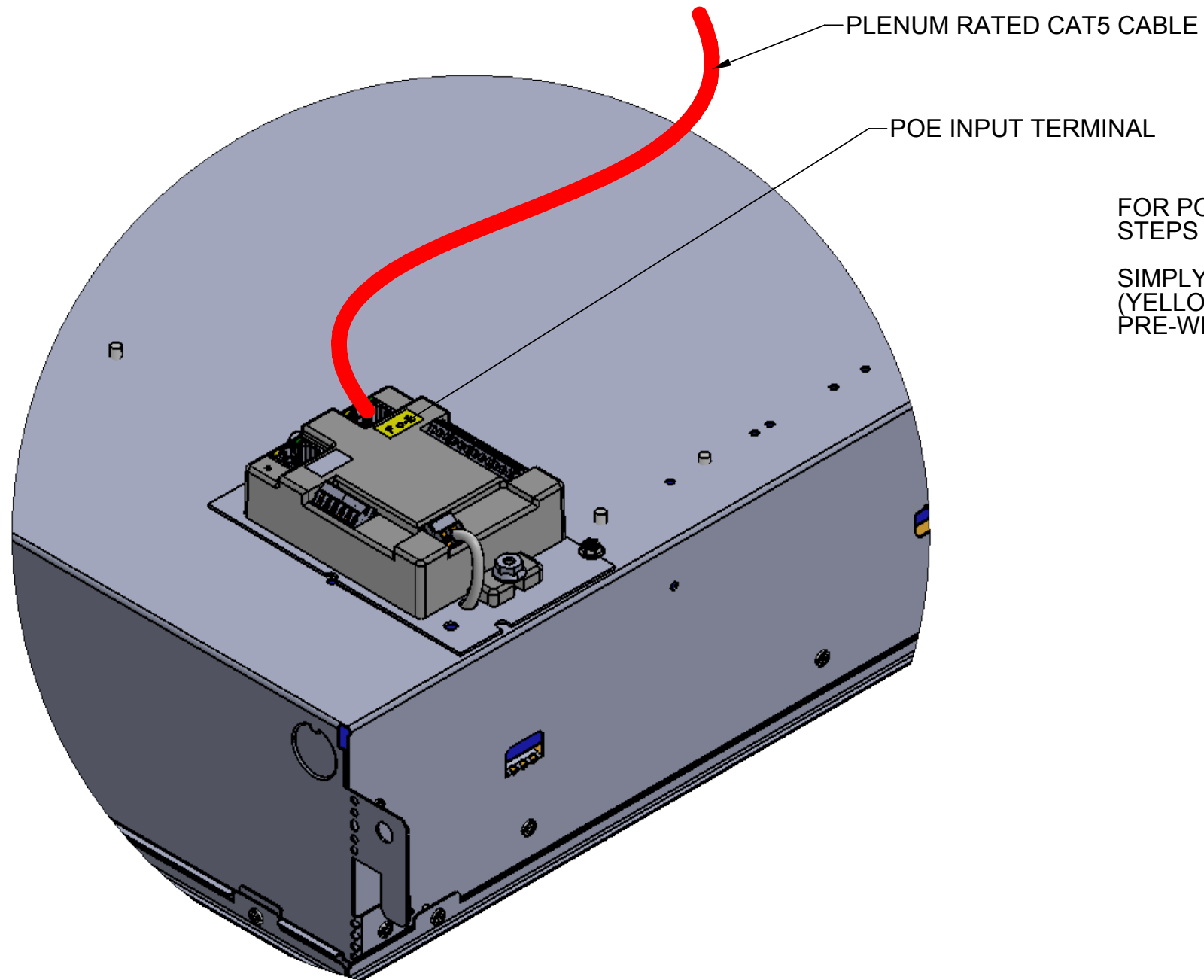
REMOVE ACCESS COVER FROM TOP OF FIXTURE.  
REMOVE 1 7/8" KO FROM ACCESS COVER AND ATTACH FLEXIBLE CONDUIT FEED (PROVIDED BY CONTRACTOR)  
REMOVE TAPE HOLDING FIXTURE WIRES AND MAKE WIRING CONNECTIONS.  
CAREFULLY PUSH CONNECTIONS BACK INTO HOUSING AND RE-INSTALL ACCESS COVER PLATE.

4



BE SURE TO CENTER DIFFUSER AND PULL IT DOWN INTO PROFILE SLOTS ON TWO SIDES.

**POWERHUBB INFORMATION**



FOR POWERHUBB FIXTURES, FOLLOW ALL INSTALLATION STEPS EXCEPT 3.

SIMPLY CONNECT PLENUM RATED CAT 5 CABLE INTO POE (YELLOW) SIDE OF POWERHUBB NODE. FIXTURE IS ALREADY PRE-WIRED.